



# SURESEAL PIPE SUPPORTS

## SURESEAL PIPE SYSTEMS

web: [www.sureseal.com.au](http://www.sureseal.com.au) e-mail: [peter@sureseal.com.au](mailto:peter@sureseal.com.au)

tel: (08) 9312 1570 fax: (08) 9312 1748

Factory Unit 14  
16 Salpietro Street  
Bibra Lake, 6163  
Western Australia

ABN 69 805 629 300

Locally developed and manufactured, interlocking pipe support clamp for many applications

### Cost effective

Corrosion resistant, maintenance free with no painting requirements

Injection moulded using U.V. Light stabilized glass reinforced Polypropylene as standard, other material types available upon request

Due to the flexibility of the clamp, possibility of over stressing the resin rich chemical barrier is eliminated

Good thermal insulating properties. Ideal for use as a thermal break in chilled water applications

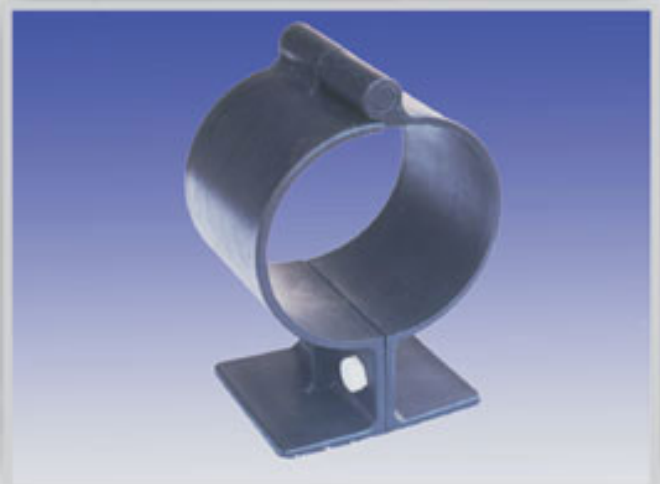
Simple to install and assemble using thermoplastic locking pin and bolts supplied with clamp set

Suitable for use with many standard thermoset, thermoplastic or Ferrous pipe systems

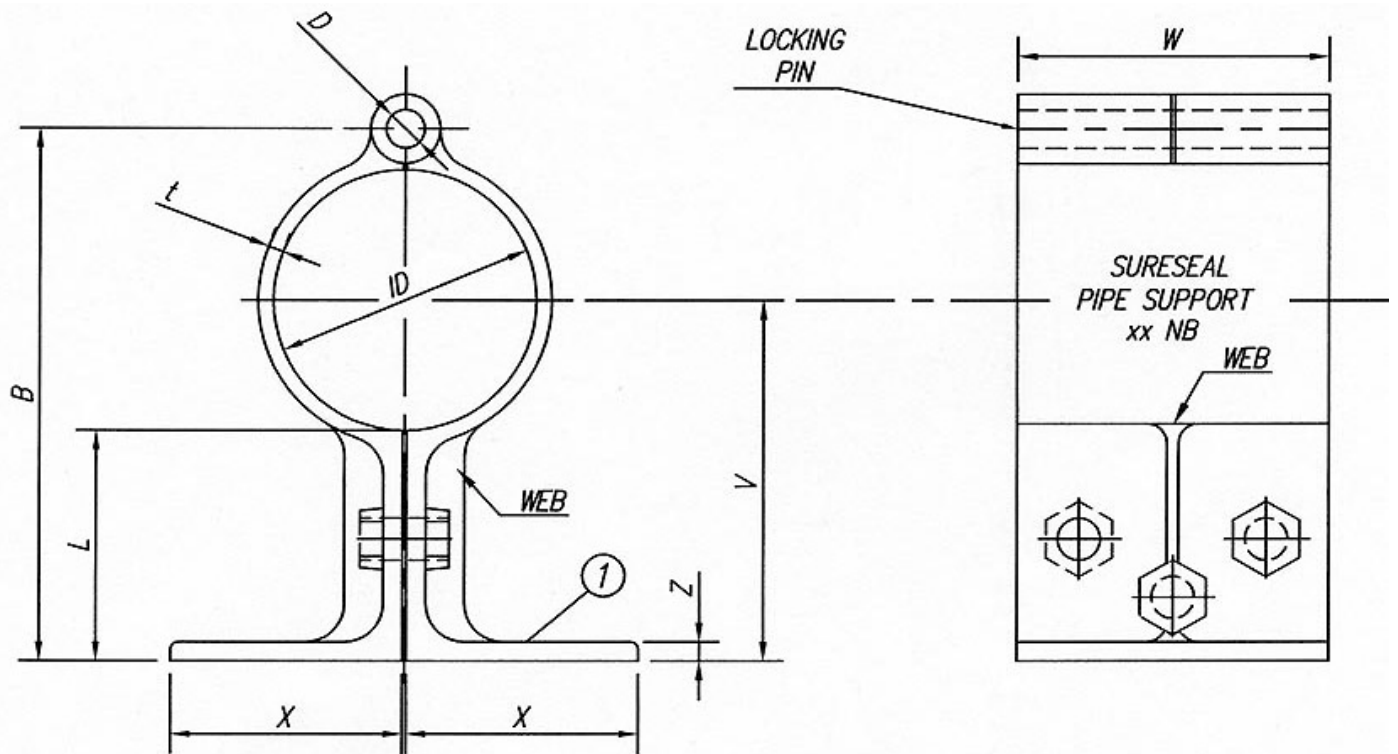
Simple change of cushioning rubber thickness allows for use with different pipe outside diameters

Clamps can be used as hangers by cutting off bases. An additional fixing point is provided for centralising hanger

Available in common sizes 25 N.B. to 150 N.B.



# TECHNICAL DATA



NB	ID	D	t	W	X	Z	L	B	V
25	39	10	3	80	60	4	60	110	79.5
40	57	10	3	80	60	4	60	130	88.5
50	68	10	4	80	60	5	60	140	94
80	98	10	4	80	60	5	60	170	109
100	122	12	5	100	60	6	60	195	121
150	175	12	5	120	70	6	70	260	157.5